

Munters Euroemme Saturn FIVE

Air extraction fans

The Saturn FIVE series are feature rich, high-tech and completely modular fans, able to combine exceptional airflow with full energy efficiency. This means superior growth of livestock and yield, improved animal welfare and more sustainable business.

Modular

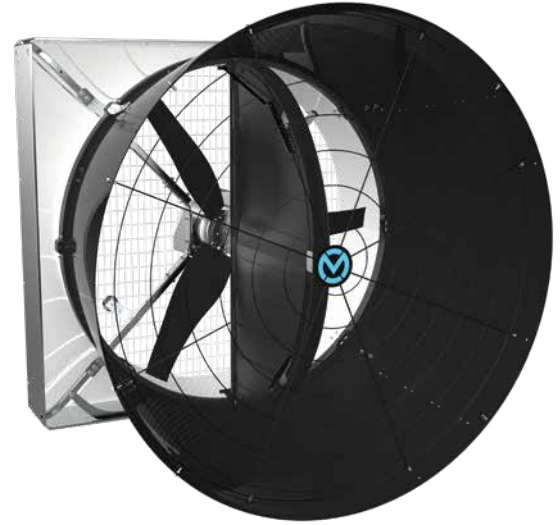
Fully flexible configuration to meet the needs of any farm

Sustainable

Designed to increase airflow while reducing operating costs, maintenance and energy consumption. The E-line version saves up to 50% on electricity costs

Reliable

Long service life and corrosion resistance features with M-Protect and composite materials



Saturn FIVE Direct drive 3 blades



Saturn FIVE E-line 3 blades

Designed to meet every farmer's needs, for any livestock or greenhouse application, in any climate zone. The modular configuration addresses specific demands, including corrosion resistance in harsh environments and various installation options.

An innovative butterfly damper guarantees animal welfare and reduces energy waste. This patented plastic damper reduces air draft by closing tightly when the fan is off. The actuator-free design ensures the damper opens and remains open reliably, maintaining consistent performance even at high static pressures.

For maximum energy savings, the E-line version reduces power consumption by up to 50% compared to the same fan with AC motor, all while enabling speed regulation.

Designed to require zero maintenance while delivering consistently high performance over a long service life.

All Saturn FIVE models are fully compliant with the latest EU Ecodesign requirements, ensuring certified performance and full CE marking for your peace of mind

As the market leader in ventilation solutions for more than 60 years, GrainProteinTech Climate Control & Air Treatment guarantees quality and is ISO 9001 certified.



Proudly manufactured with 100% renewable energy in our plants in Italy

Munters Euroemme LFd

Darkening solution, available upon request.

Light filters play a critical role in modern poultry farming. Especially in breeding and rearing farms, correct light control is essential to achieving ambitious production targets.

- Light reduction factor 2.000.000:1
- Installation directly on Saturn FIVE¹

¹LFd cannot be used with Saturn FIVE Belt 1.5



Munters Euroemme Saturn FIVE

Suggested configurations by application

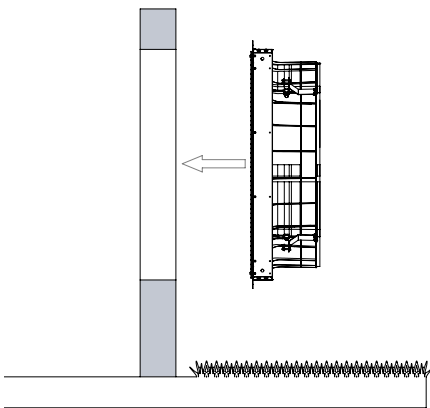
Application		Motor			Propeller		Housing Material ¹	Max static pressure
		Type	Drive	Nominal power	Blades	Material ¹		
Poultry	Broiler (floor)	AC	Direct	2.0 hp	3	Composite	MP	75 Pa
		AC	Belt	1.5 hp	3	MP	MP	75 Pa
	Layer (light control)	AC	Direct	2.0 hp	5	Composite	MP	100 Pa
		AC	Belt	2.0 hp	6	MP	MP	100 Pa
	Mega houses (broiler, layer)	AC	Direct	2.0 hp	3 5	Composite	MP	75 Pa 100 Pa
		AC	Belt	2.0 hp	6	MP	MP	100 Pa
Swine		AC	Direct	2.0 hp	3 5	Composite	MP	75 Pa 100 Pa
Greenhouse		AC	Belt	1.5 hp	3	MP	MP	75 Pa
All application	E-line	EC	Direct	3.0 hp	3 5	Composite	MP	75 Pa 100 Pa

¹MP: M-Protect

Installation options

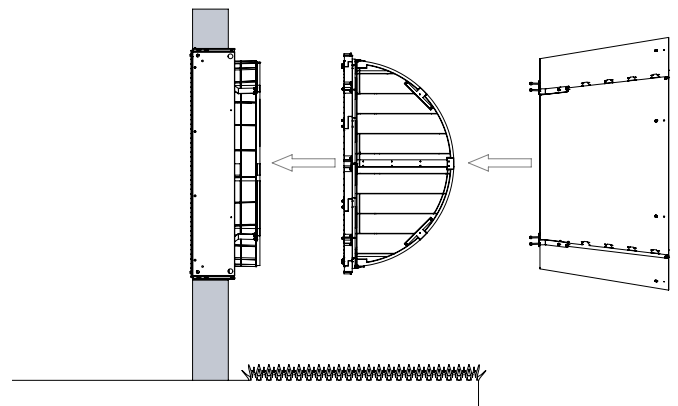
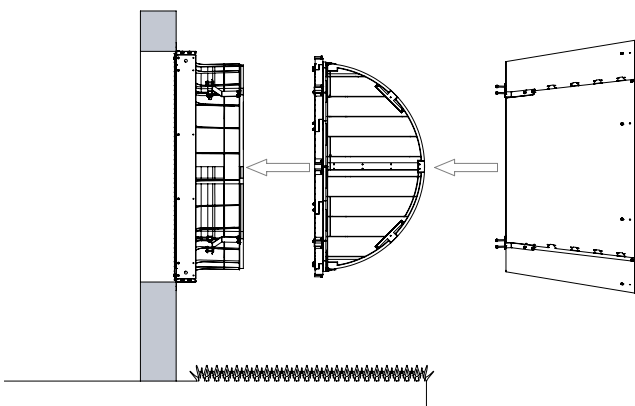
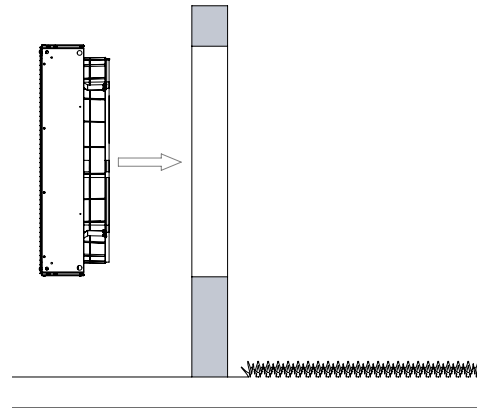
Wall mount

Installation directly on the external wall, suitable for sandwich panel or wooden wall.



Through wall mount

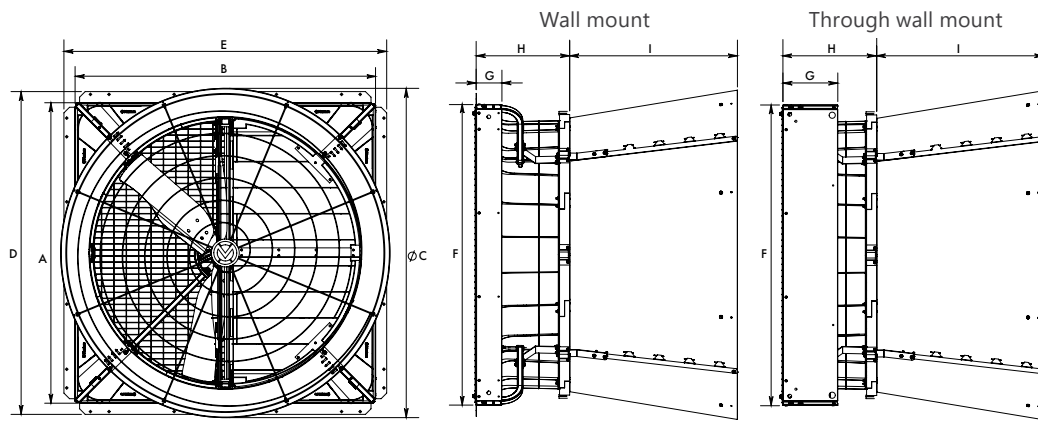
Installation from inside the house, suitable for brick or concrete wall with metal reinforcement.



Munters Euroemme Saturn FIVE

AC motor

Dimensions



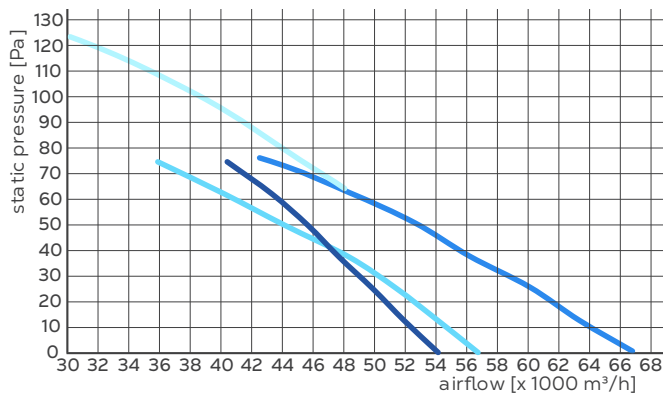
	A	B	C	D	E	F	G	H	I
Wall mount	1615 mm	1615 mm	1770 mm	1735 mm	1735 mm	1615 mm	139 mm	504 mm	900 mm
Through wall mount	1615 mm	1615 mm	1770 mm	-	-	1615 mm	295 mm	504 mm	900 mm

Technical specifications

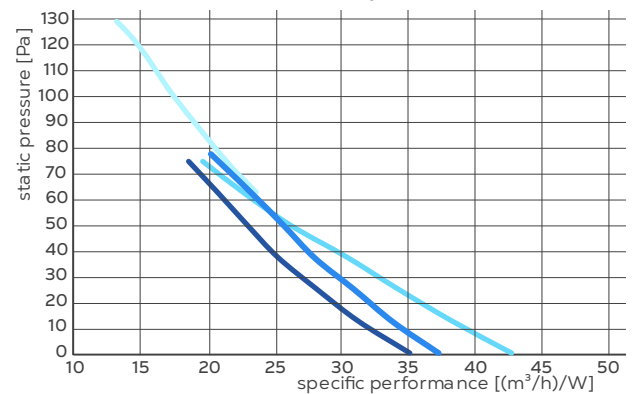
		Belt 1.5	Belt 2.0	Direct 2.0
Nominal power	hp [kW]	1.5 [1.1]	2.0 [1.5]	2.0 [1.5]
Propeller diameter	mm [inch]	1400 [55]	1400 [55]	1400 [55]
Number of blades/material		3/M-Protect	6/M-Protect	3/Composite 5/Composite
Motor/drive type		AC/Belt	AC/Belt	AC/Direct
Weight of fully equipped fan	kg	100	120	102 103
Max power consumption/max current ¹	W/A	1850/3.6	2485/4.5	2220/4.4 2390/4.7
Protective class of electric motor		IP55	IP55	IP55
Noise level ²	Db(a)	75.6	76.9	76.9 78.1

¹50 Hz 400 V specification, 60 Hz available upon request (not available with Direct drive 5 blades), ²Noise measured according to ISO 3744

Airflow



Efficiency



Belt 1.5		Belt 2.0		Direct 2.0			
Motor	BESS Lab	Motor	BESS Lab	Motor	BESS Lab	Motor	BESS Lab
IE3 1.5 hp	#22429	IE3 2.0 hp	#22106	IE3 2.0 hp, 3 blades	#23273	IE3 2.0 hp, 5 blades	#23274

Recommended maximum working pressure: 100 Pa. For applications exceeding this value, consult our application engineers. Performance tests conducted without hydraulic dampers on butterfly doors.

Load capacity

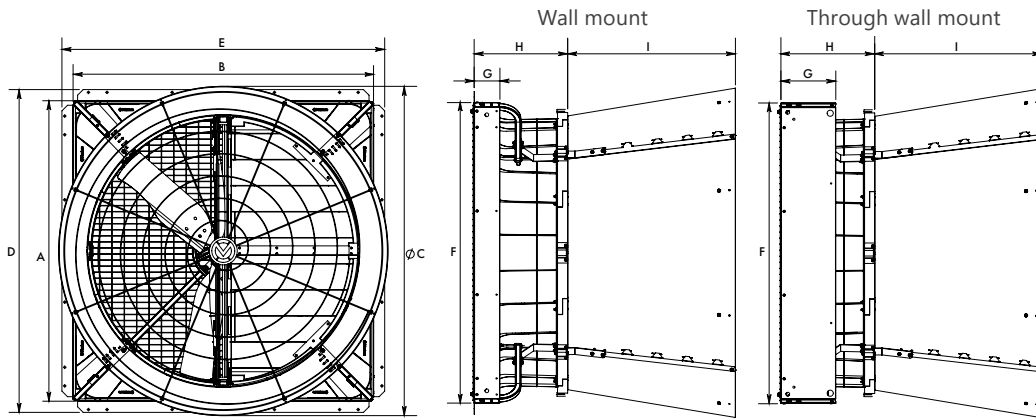
	Belt 1.5		Belt 2.0		Direct 2.0	
	Unassembled	Assembled ¹	Unassembled	Assembled ¹	Unassembled	Assembled ¹
40' HC container	102	31	86	31	90	26
13.6 m truck	-	37	-	37	-	31

¹Wall mount not available

Munters Euroemme Saturn FIVE

E-line

Dimensions

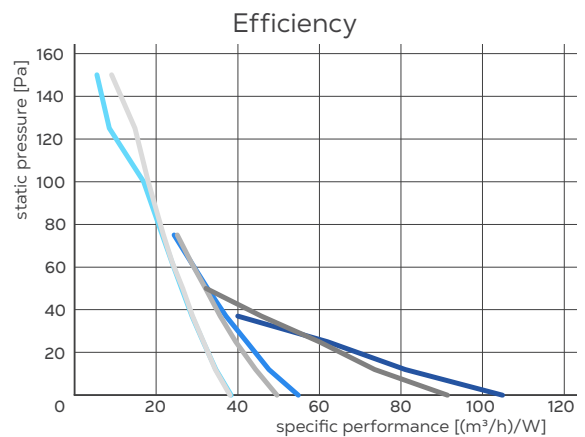
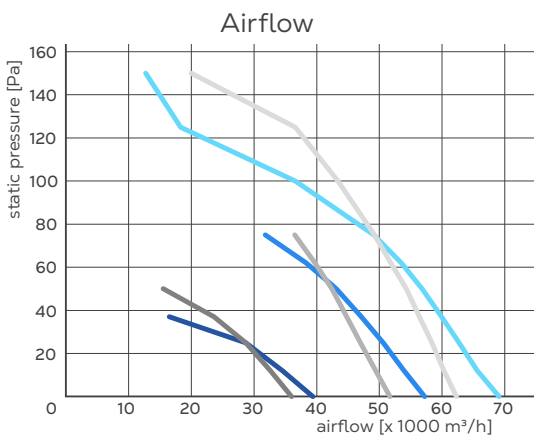


	A	B	C	D	E	F	G	H	I
Wall mount	1615 mm	1615 mm	1770 mm	1735 mm	1735 mm	1615 mm	139 mm	504 mm	900 mm
Through wall mount	1615 mm	1615 mm	1770 mm	-	-	1615 mm	295 mm	504 mm	900 mm

Technical specifications

		E-line	
Nominal power	hp [kW]	3.0 [2.2]	
Propeller diameter	mm [inch]	1400 [55]	
Nominal propeller speed	rpm	730	
Motor/drive type		EC/Direct	
Number of blades/material		3/Composite	5/Composite
Weight of fully equipped fan	kg	107	108
Max power consumption/max current ¹	W/A	2400/4.6	2700/5.2
Protective class of electric motor		IP66	
Noise level ²	Db(a)	79.6	78.1

¹400 V specification, ²Noise measured according to ISO 3744



BESS Lab test #24370 - 3 blades: — 730 rpm, — 630 rpm, — 430 rpm; BESS Lab test #24345 - 5 blades: — 730 rpm, — 630 rpm, — 430 rpm.

Recommended maximum working pressure: 100 Pa. For applications exceeding this value, consult our application engineers.

Performance tests conducted without hydraulic dampers on butterfly doors.

Load capacity

	E-line	
	Unassembled	Assembled ¹
40' HC container	90	26
13.6 m truck	-	31

¹Wall mount not available