

# Munters Reventa IS air inlet chimneys

## Fresh air systems

IS air inlet chimneys are designed to be used as ceiling or roof inlets in livestock structures. The patented star diffuser ensures that the incoming air stream is accurately controlled and radially distributed to create a uniform climate inside the structure.

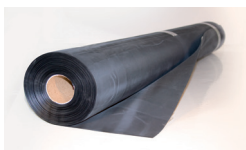
### Advantages

- Finest fresh air distribution over a large distribution range, even at minimum air rate
- Available as negative pressure or equal pressure system
- Patented star diffuser for an optimal air distribution
- Chimneys made of high quality polyethylene
- Adjustment of the star diffuser can be centralized or decentralized

During the colder months, the incoming cold air should be warmed up before it comes into contact with the animals in the barn system. This is why the unique design of the star diffuser directs the air horizontally outwards when set to small openings. This setting allows the cold, incoming air to mix with the warm air near the roof of the barn.

During hot weather, the need for ventilation in the barn systems increases and it is no longer necessary to heat the incoming air before it comes into contact with the animals. It is possible to adjust the lamella fins in the star diffuser such that the fresh air is fed directly to the animals..

### Accessories



Flexible flashings



Air distributors



Motor regulators MR9710

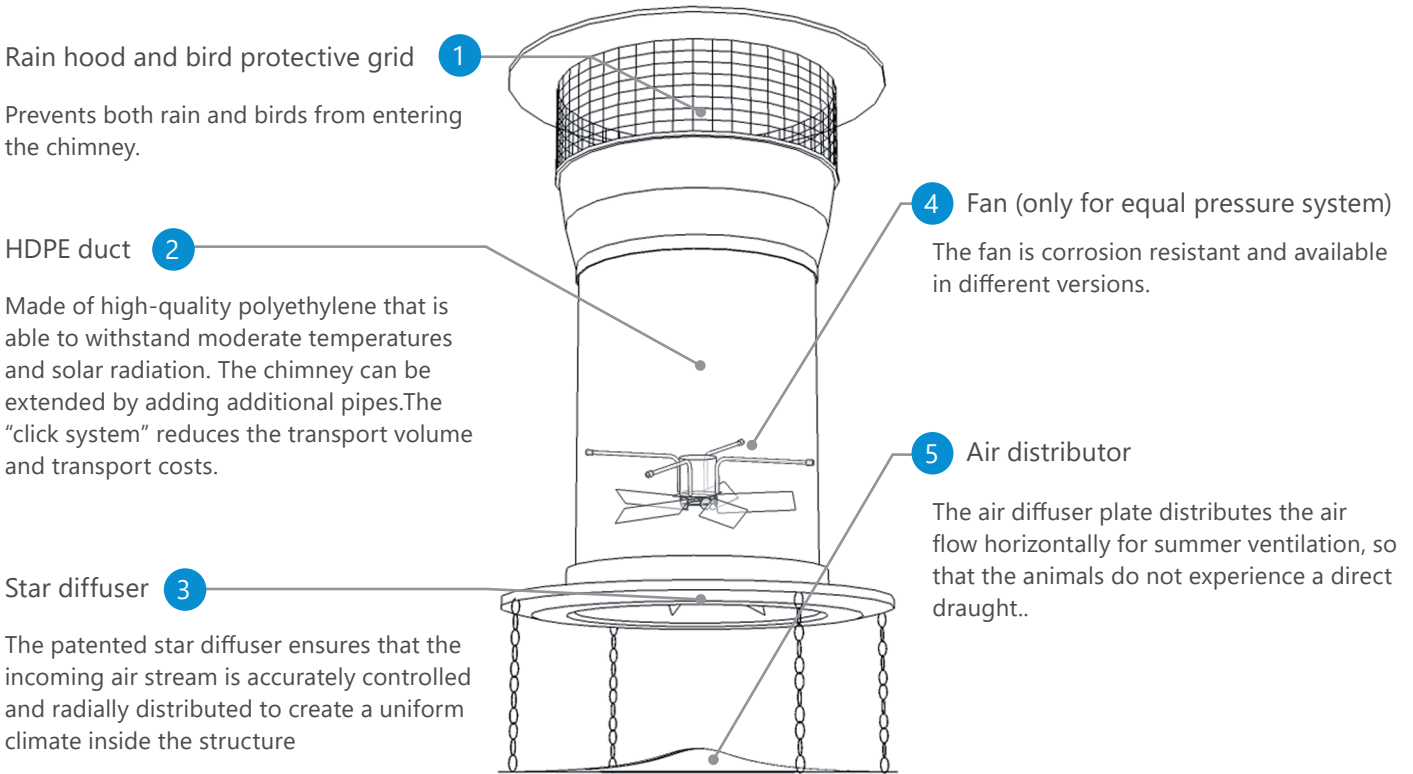


Emergency thermostats

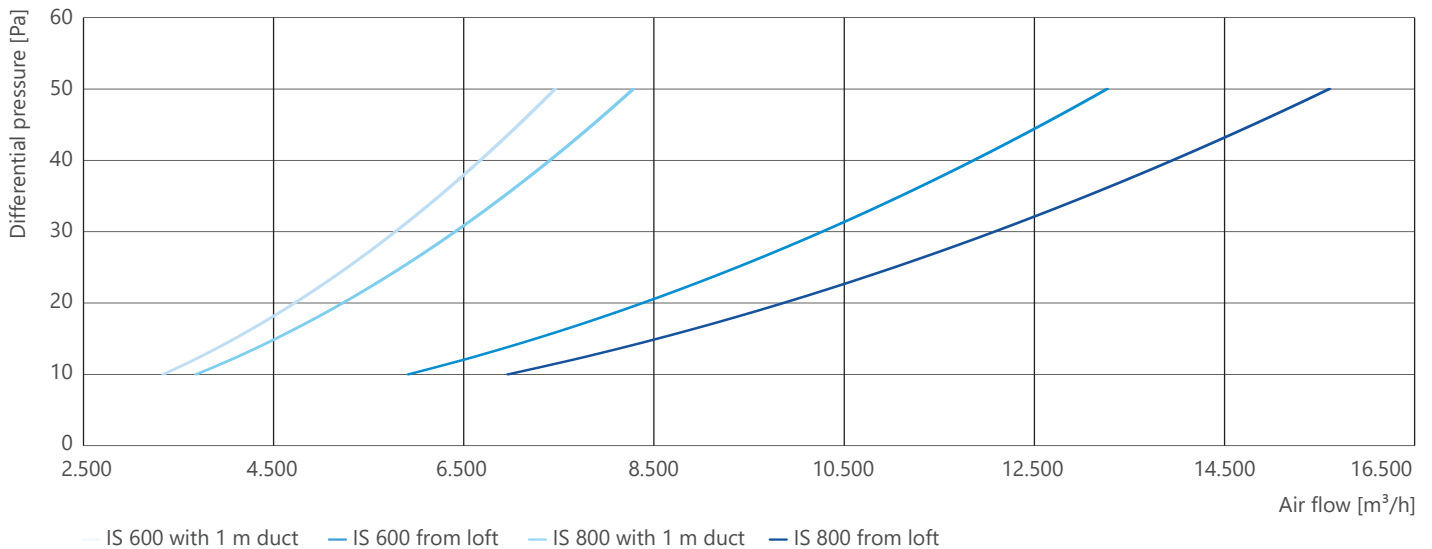


# Munters Reventa IS air inlet chimneys

Fresh air systems



Differential pressure vs. Flowrate



## Performances

		IS 600 with 1 m duct	IS 600 for roof space	IS 800 with 1 m duct	IS 800 for roof space
Air flow at 0 Pa	[m <sup>3</sup> /h]	3,357	3,647	5,843	6,946
Air flow at 20 Pa	[m <sup>3</sup> /h]	4,720	5,142	8,414	9,789
Air flow at 30 Pa	[m <sup>3</sup> /h]	5,770	6,500	10,285	12,150
Fan model for active chimney operation		Fan 250/900 / Munters Drive		Fan 370/900 / Munters Drive	
Air flow* at 100% fan speed	[m <sup>3</sup> /h]	9,290	9,920	17,140	18,969
Permissible per ERP2015		✓			

\*Equal pressure ventilation

## Technical data

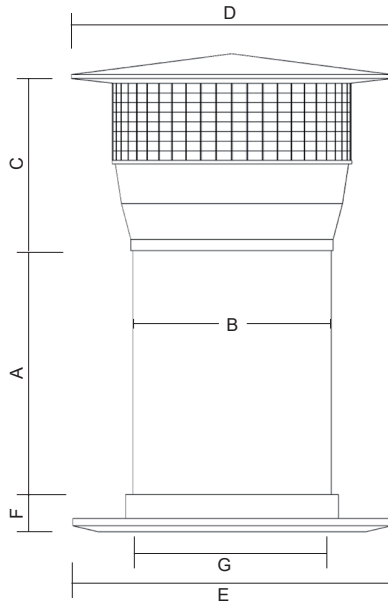
IS 600		
Munters Drive		—
Motor power	[W]	250
Voltage	[V]	230
Current	[A]	2,3
Nominal fan speed	[rpm]	900
Number of blades		10
Air flow at 0 Pa	[m <sup>3</sup> /h]	9,040
Air flow at 10 Pa	[m <sup>3</sup> /h]	9,400
Air flow at 20 Pa	[m <sup>3</sup> /h]	—

IS 800								
Munters Drive		—	—	—	—	—	—	✓
Motor power	[W]	370	370	430	550	430	430	660
Voltage	[V]	230	230	400	230	400	400	230
Current	[A]	3	3	3x3,1	4	2,42	2,42	—
Nominal fan speed	[rpm]	900	900	900	900	900	900	—
Number of blades		5	5	5	5	5	5	5
Air flow at 0 Pa	[m <sup>3</sup> /h]	16,460	18,650	19,820	21,380	16,400	18,980	20,653
Air flow at 10 Pa	[m <sup>3</sup> /h]	15,850	17,950	19,140	20,500	15,750	18,290	17,310
Air flow at 20 Pa	[m <sup>3</sup> /h]	15,240	17,230	18,290	19,540	14,960	17,310	19,634

# Munters Reventa IS air inlet chimneys

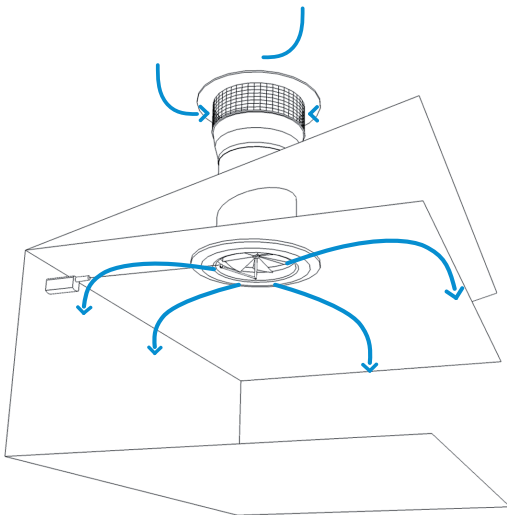
Fresh air systems

Dimensions

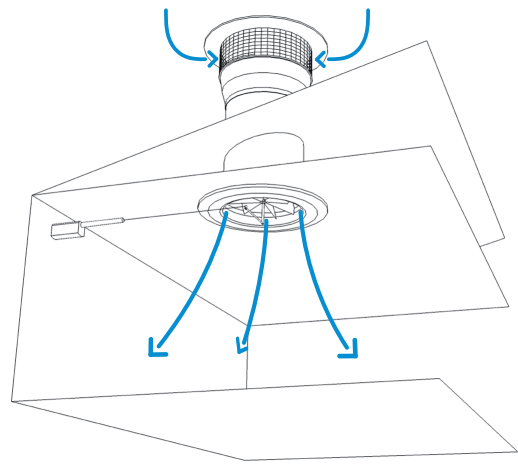


	A	B	C	D	E	F	G
IS 600	500 mm/1,000 mm	633 mm	540 mm	1,100 mm	1,115 mm	150 mm	615 mm
IS 800	500 mm/1,000 mm	837 mm	600 mm	1,300 mm	1,320 mm	150 mm	817 mm

IS chimney inlets for roof inlet / Central opening star diffuser



Setting in winter



Setting in summer